



Technical Data Sheet

*Omega ANSI
Current Transformer Series*

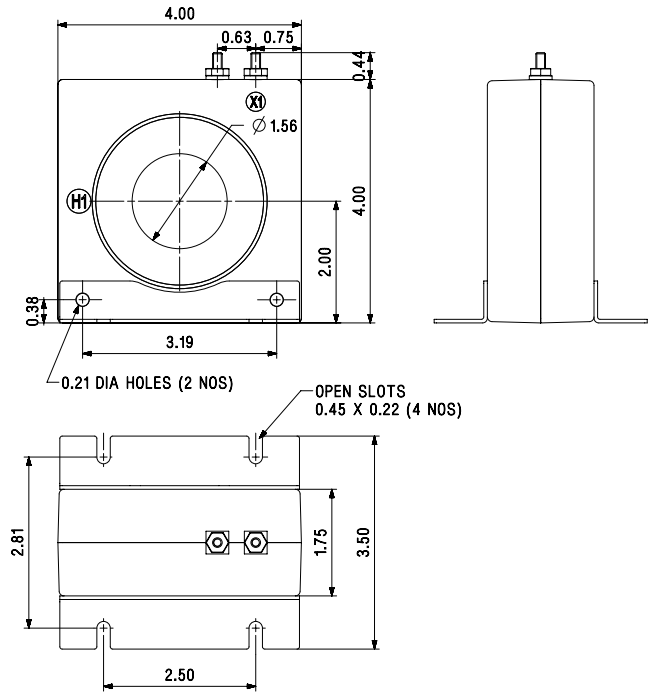


Omega 30

64ASHT, 65ASHT, 66ASHT



Omega 30 - 64ASHT

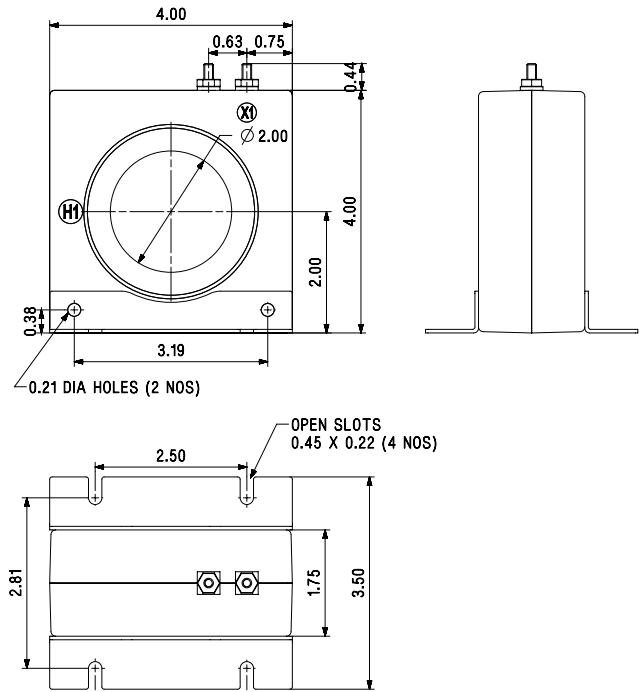


*All the mentioned dimensions are in inches

Current Ratio	VA @ ± 1% Class	ANSI METERING CLASS @ 60HZ					SECONDARY WINDING RESISTANCE (OHMS @ 75°C)	Cont. Thermal RF	
		B0.1	B0.2	B0.5	B0.9	B1.8		@30 °C	@55 °C
50:5	2.5 ± 2%	2.4	-	-	-	-	0.011	2.0	2.0
75:5	4.0	1.2	2.4	-	-	-	0.020	2.0	2.0
100:5	5.0	1.2	1.2	4.8	4.8	-	0.026	2.0	2.0
150:5	7.5	0.6	0.6	1.2	2.4	4.8	0.043	2.0	2.0
200:5	12.5	0.3	0.3	1.2	1.2	2.4	0.063	2.0	1.5
250:5	20.0	0.3	0.3	0.6	1.2	2.4	0.074	2.0	1.5
300:5	35.0	0.3	0.3	0.3	0.6	1.2	0.086	2.0	1.5
400:5	50.0	0.3	0.3	0.3	0.6	1.2	0.110	1.5	1.33
500:5	50.0	0.3	0.3	0.3	0.3	0.6	0.173	1.5	1.0

Approximate weight: 3.75 lbs.

Omega 30 - 65ASHT

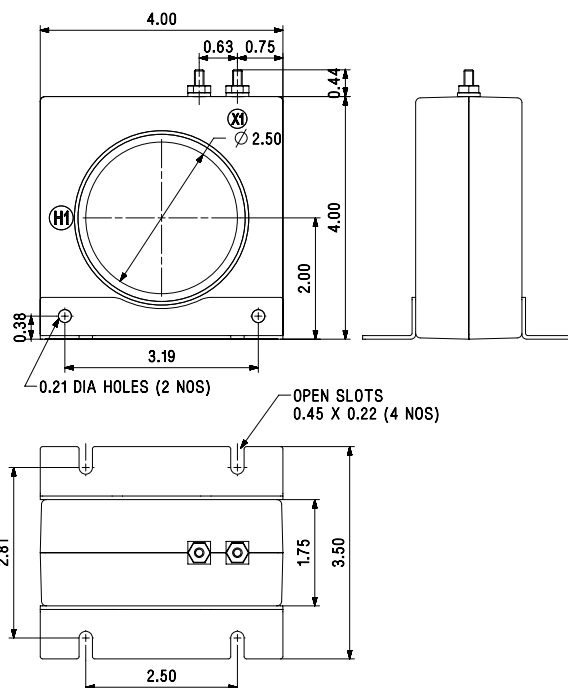


*All the mentioned dimensions are in inches

Current Ratio	VA @ ± 1% Class	ANSI METERING CLASS @ 60HZ					SECONDARY WINDING RESISTANCE (OHMS @ 75 °C)	Cont. Thermal RF	
		B0.1	B0.2	B0.5	B0.9	B1.8		@30 °C	@55 °C
50:5	2.0	2.4	-	-	-	-	0.007	2.0	2.0
75:5	4.0	2.4	2.4	-	-	-	0.013	2.0	2.0
100:5	4.0	1.2	1.2	4.8	-	-	0.022	2.0	2.0
150:5	6.0	0.6	0.6	2.4	4.8	4.8	0.039	2.0	2.0
200:5	12.5	0.6	0.6	1.2	2.4	2.4	0.047	2.0	2.0
250:5	15.0	0.3	0.3	0.6	1.2	2.4	0.067	2.0	1.5
300:5	20.0	0.3	0.3	0.6	1.2	2.4	0.077	2.0	1.5
400:5	35.0	0.3	0.3	0.3	0.6	1.2	0.110	1.5	1.25
500:5	50.0	0.3	0.3	0.3	0.6	1.2	0.155	1.33	1.0
600:5	60.0	0.3	0.3	0.3	0.3	0.6	0.186	1.25	1.0
750:5	75.0	0.3	0.3	0.3	0.3	0.6	0.197	1.0	0.8
800:5	80.0	0.3	0.3	0.3	0.3	0.6	0.210	1.0	0.8
1000:5	100.0	0.3	0.3	0.3	0.3	0.6	0.253	1.0	0.8
1200:5	105.0	0.3	0.3	0.3	0.3	0.3	0.316	1.0	0.8
1500:5	140.0	0.3	0.3	0.3	0.3	0.3	0.491	1.0	0.8

Approximate weight: 3.25 lbs.

Omega 30 - 66ASHT



*All the mentioned dimensions are in inches

Current Ratio	VA @ ± 1% Class	ANSI METERING CLASS @ 60HZ					SECONDARY WINDING RESISTANCE (OHMS @ 75°C)	Cont. Thermal RF	
		B0.1	B0.2	B0.5	B0.9	B1.8		@30 °C	@55 °C
50:5	1.5±2%	-	-	-	-	-	0.006	2.0	2.0
75:5	2.5±2%	2.4	-	-	-	-	0.008	2.0	2.0
100:5	2.5	1.2	2.4	-	-	-	0.013	2.0	2.0
150:5	4.0	1.2	1.2	2.4	4.8	-	0.020	2.0	2.0
200:5	5.0	0.6	0.6	2.4	2.4	4.8	0.038	2.0	2.0
250:5	10.0	0.6	0.6	1.2	2.4	4.8	0.045	2.0	2.0
300:5	12.5	0.3	0.3	1.2	2.4	2.4	0.065	2.0	1.5
400:5	20.0	0.3	0.3	0.6	1.2	1.2	0.082	1.5	1.33
500:5	30.0	0.3	0.3	0.6	1.2	1.2	0.107	1.5	1.25
600:5	40.0	0.3	0.3	0.6	0.6	1.2	0.162	1.33	1.0
750:5	50.0	0.3	0.3	0.3	0.6	0.6	0.202	1.0	0.8
800:5	60.0	0.3	0.3	0.3	0.6	0.6	0.216	1.0	0.8

Approximate weight: 2.5 lbs.

Omega 30 - 64ASHT, 65ASHT, 66ASHT

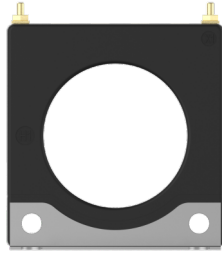
Specification

- FREQUENCY : 50 -400 Hz
- INSULATION LEVEL : 600 Volts. 10kV BIL. full wave
- WINDOW : 1.56", 2.0", 2.5"
- APROXIMATE WEIGHT : 3.75, 3.25 and 2.5 lbs
- CONNECTIONS :
- -Terminals are brass studs No. 8-32 UNC with one flat washer, lockwasher, and regular nut
- - Mounting kit (On Request)

Application

- APPLICATION : Metering

Product Mounting Kit

Sr No	Model Name	Item Code	Actual Product
1	64-66	X64H-0A00-0001	

Sifam Tinsley Instrumentation Inc.

Address: 2105 Barrett Park Dr, Unit 105, Kennesaw, GA 30144

Tel.: 800-879-6171 | **E-mail:** info@sifamtinsley.com | **Web:** www.sifamtinsley.com
